

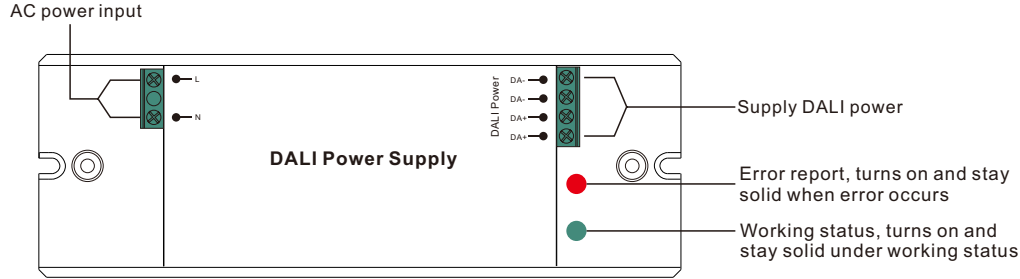
DALI Power Supply

70040028



Important: Read All Instructions Prior to Installation

Function introduction



Product Data

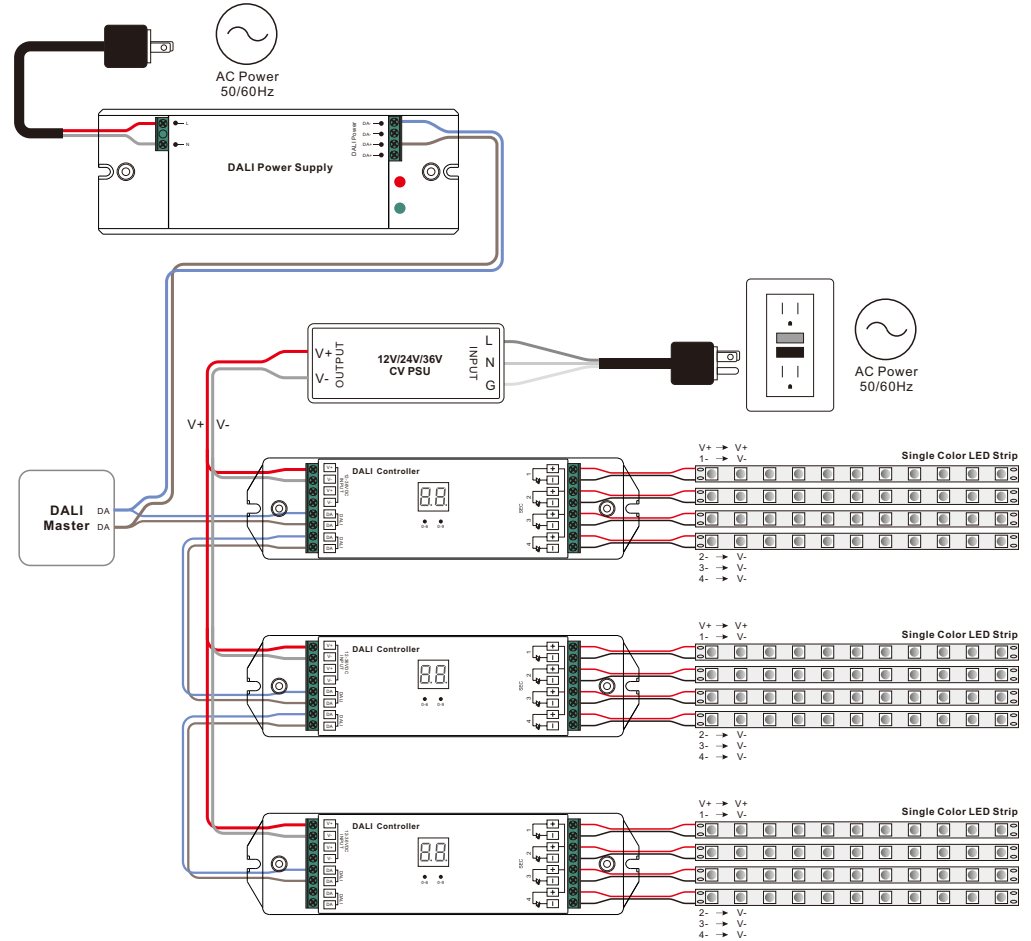
| Input Voltage | Input Current | Output Voltage | Output Current | Size(LxWxH) |
|---------------|---------------|----------------|----------------|-------------|
| 100-240VAC | 300mA max | 16VDC | 250mA max | 170x59x29mm |

- Match all DALI system in the market
- DALI bus power supply
- Waterproof grade: IP20

Safety & Warnings

- DO NOT install with power applied to device.
- DO NOT expose the device to moisture.

Wiring Diagram



Product Dimension

